

# BRKETOTEK





## Thermostat Instruction

➤ KTF0155A    KTF0155B    KTF0155C    White  
KTF0163A    KTF0163B    KTF0163C    Black



KTF0155 KTF0163 series are smart thermostat used to local or remote control floor heating system to keep your home at comfortable temperature while minimizing energy use.

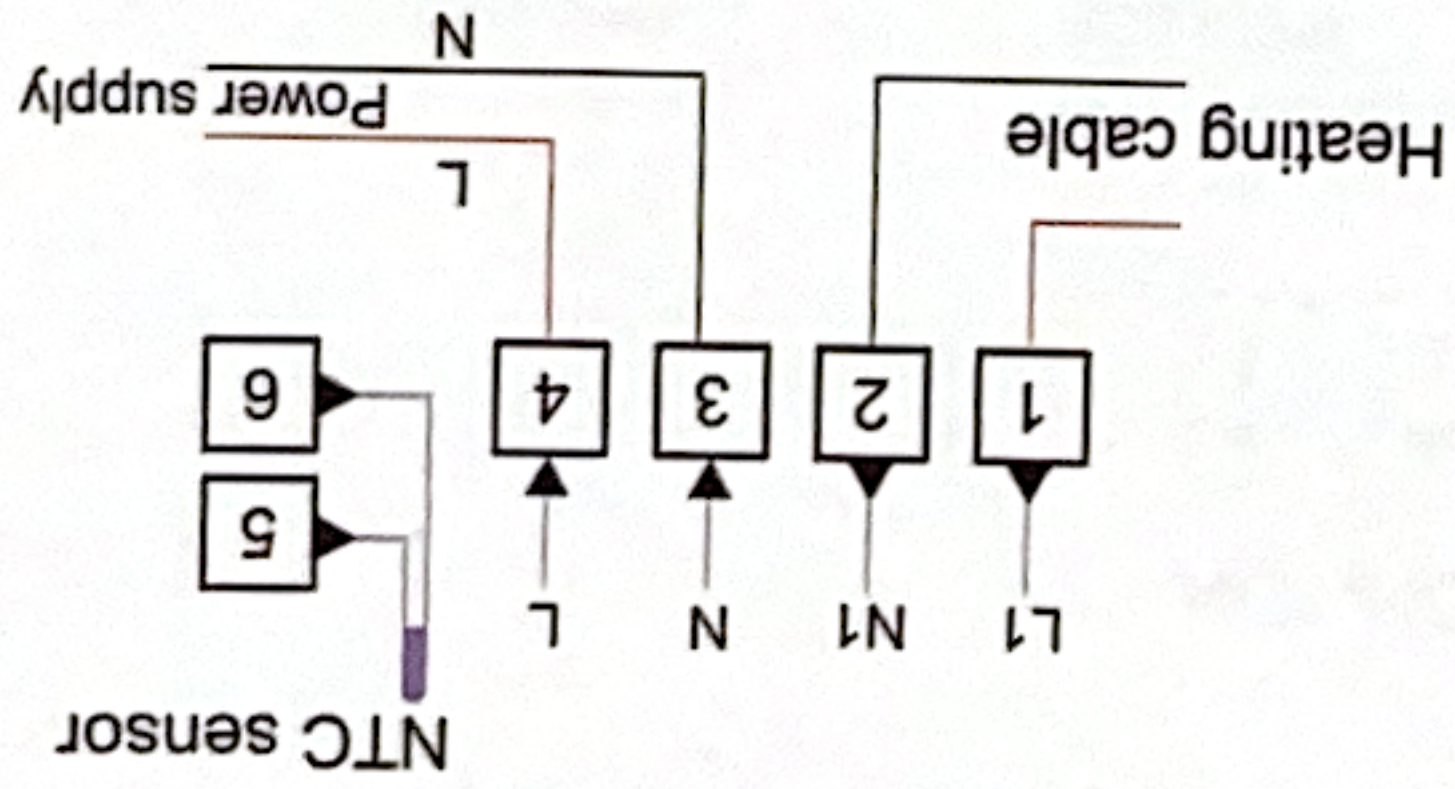
### Inside the box

-  Thermostat
-  Screws
-  User manual
-  2.5m external sensor (only KTF0155A KTF0163A include)

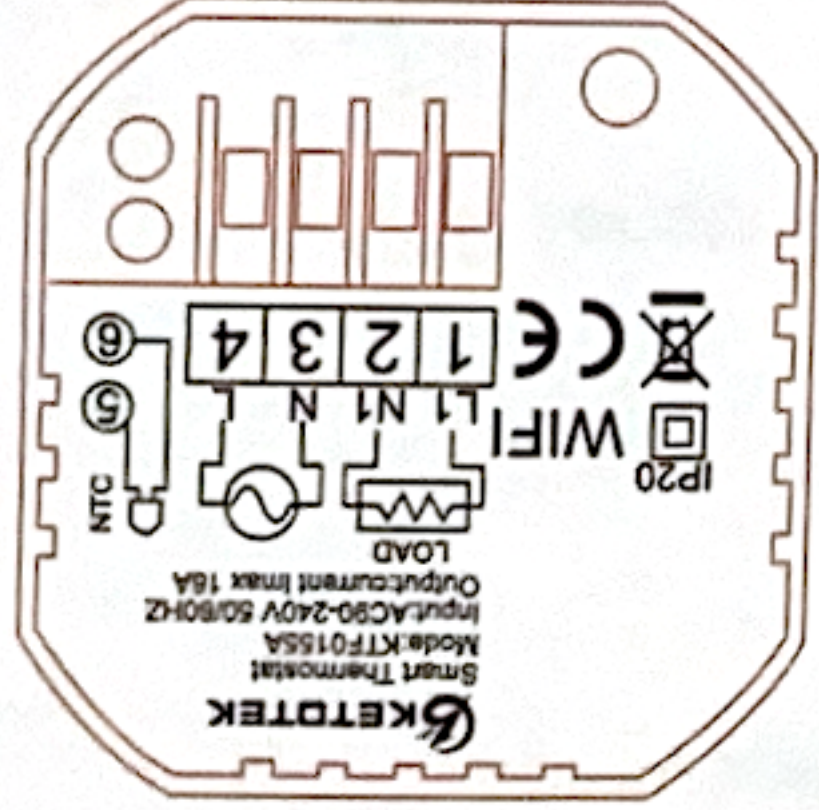


# ❖KTF0155A, KTF0163A -- Electric heating thermostat 16A.

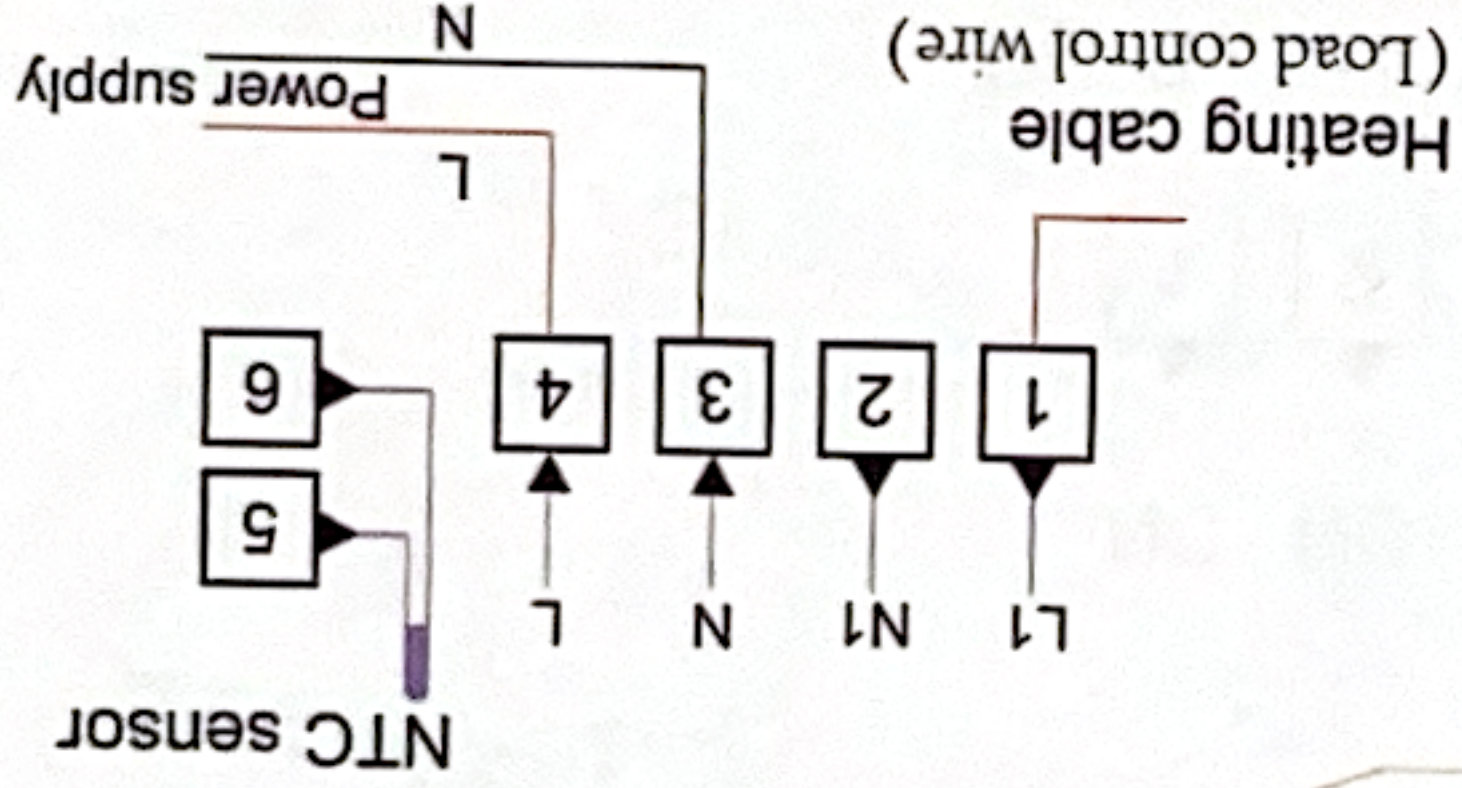
Note: N and N1 are internally conductive.



Four wires connection:



Three wires connection:



---1---

## I English manual

1 Wiring diagram

4 Installation

5 LCD display

6 Connect to App -EZ mode

7 Connect to App -AP mode

9 App function

10 Touch key function-basic settings

12 Touch key function-advanced settings

14 Touch key function

16 II Deutsches Handbuch

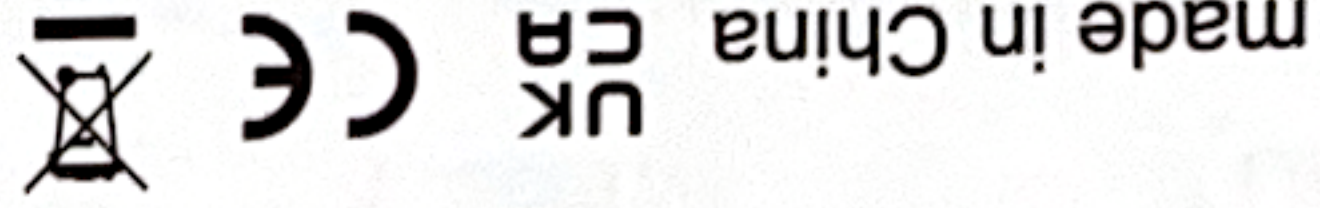
25 III manuel en français

31 IV Manual en español

37 V manuale italiano

# Contents

info@cnketotek.com www.cnketotek.com

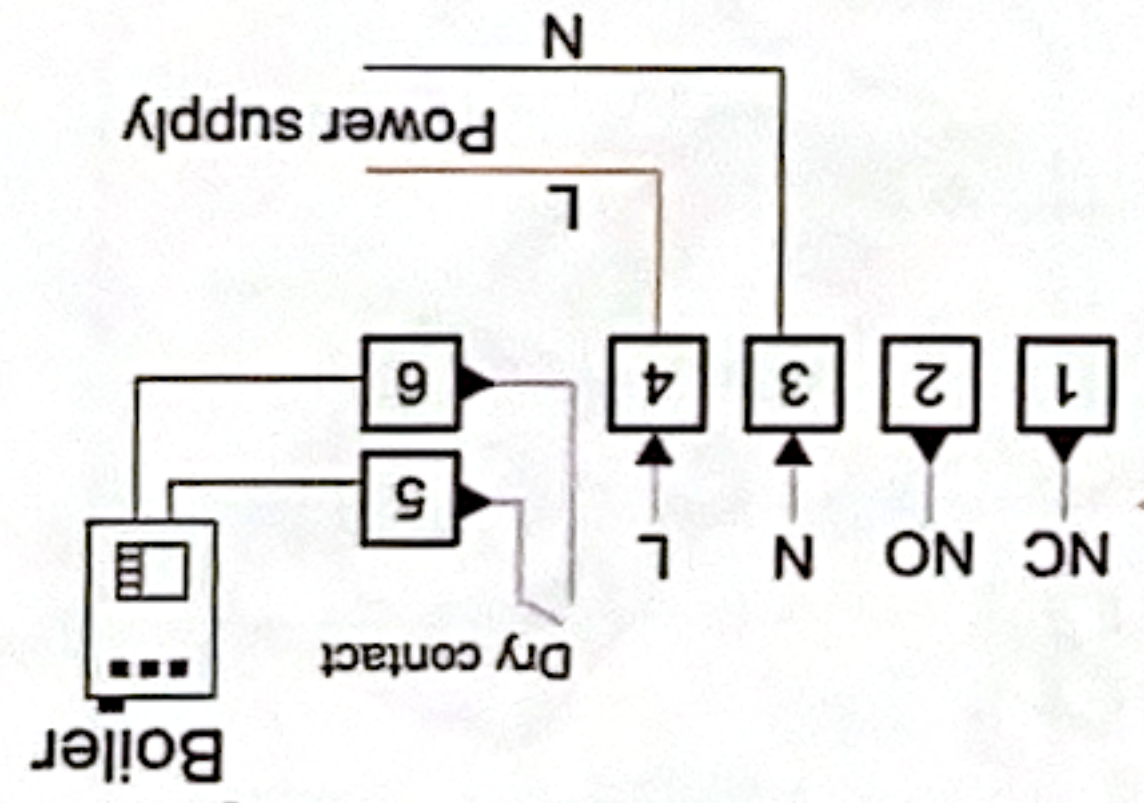




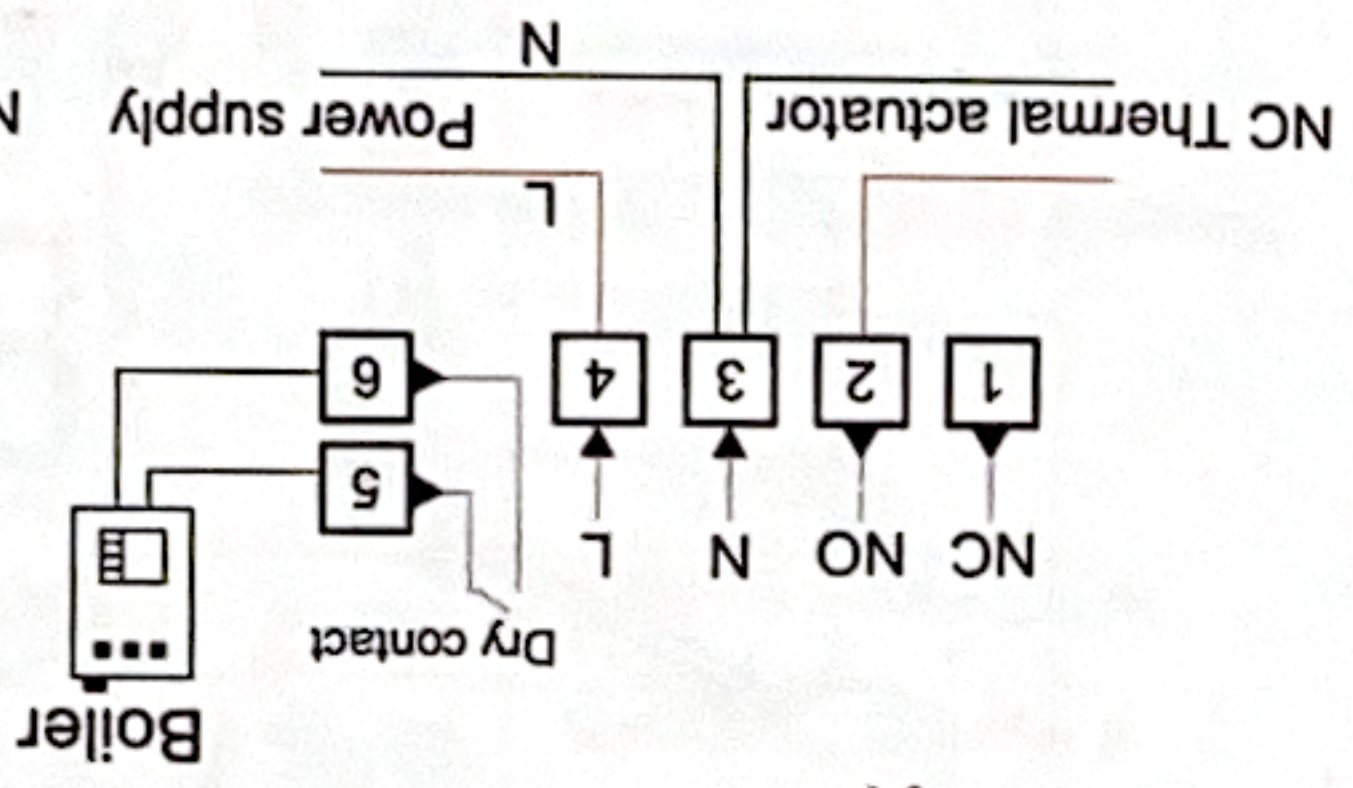
❖ **KTF0155C, KTF0163C** -- Water and gas boiler thermostat 3A

There are 4 ways to use.  
**Notes:** 1&2&3 is wet contact. 5&6 is dry contact.

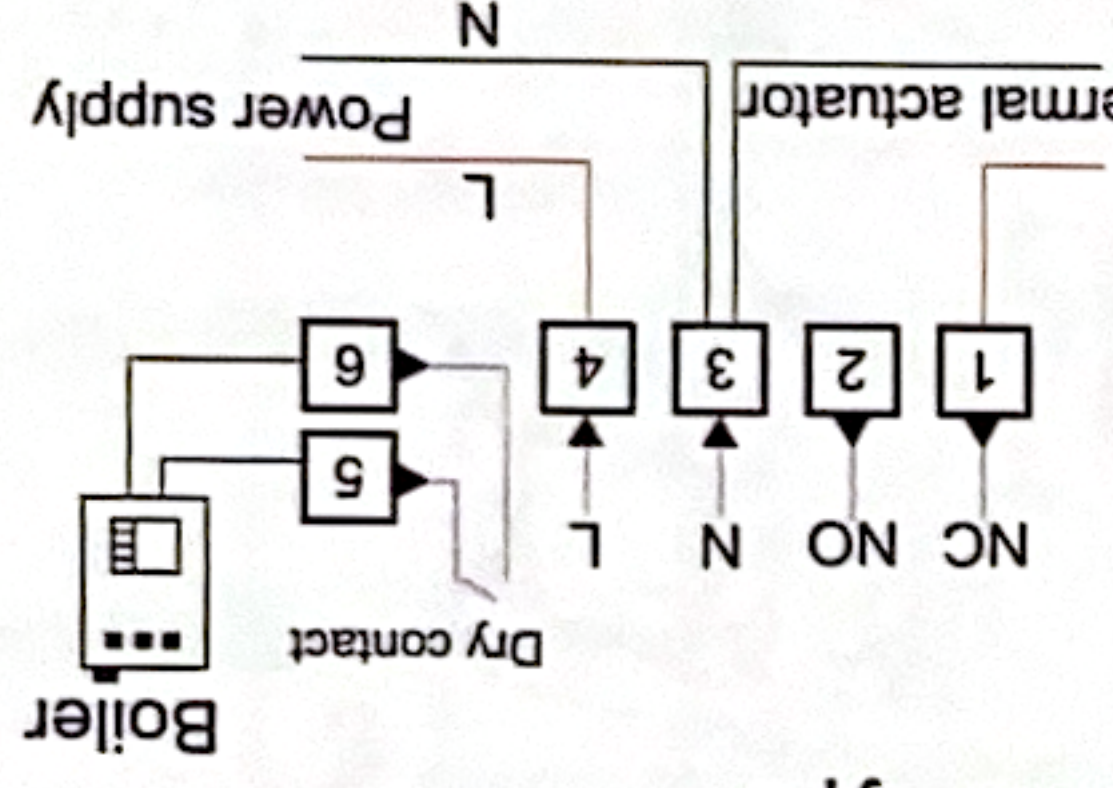
**1: Connect Boiler only**



**2: Connect Boiler+actuator NO Type**



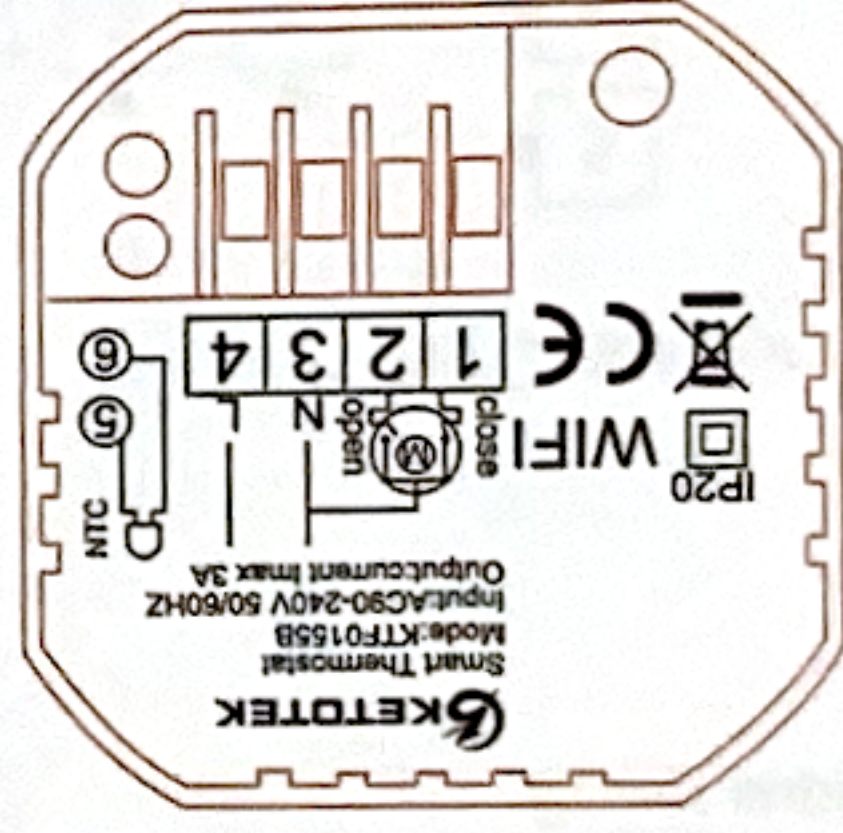
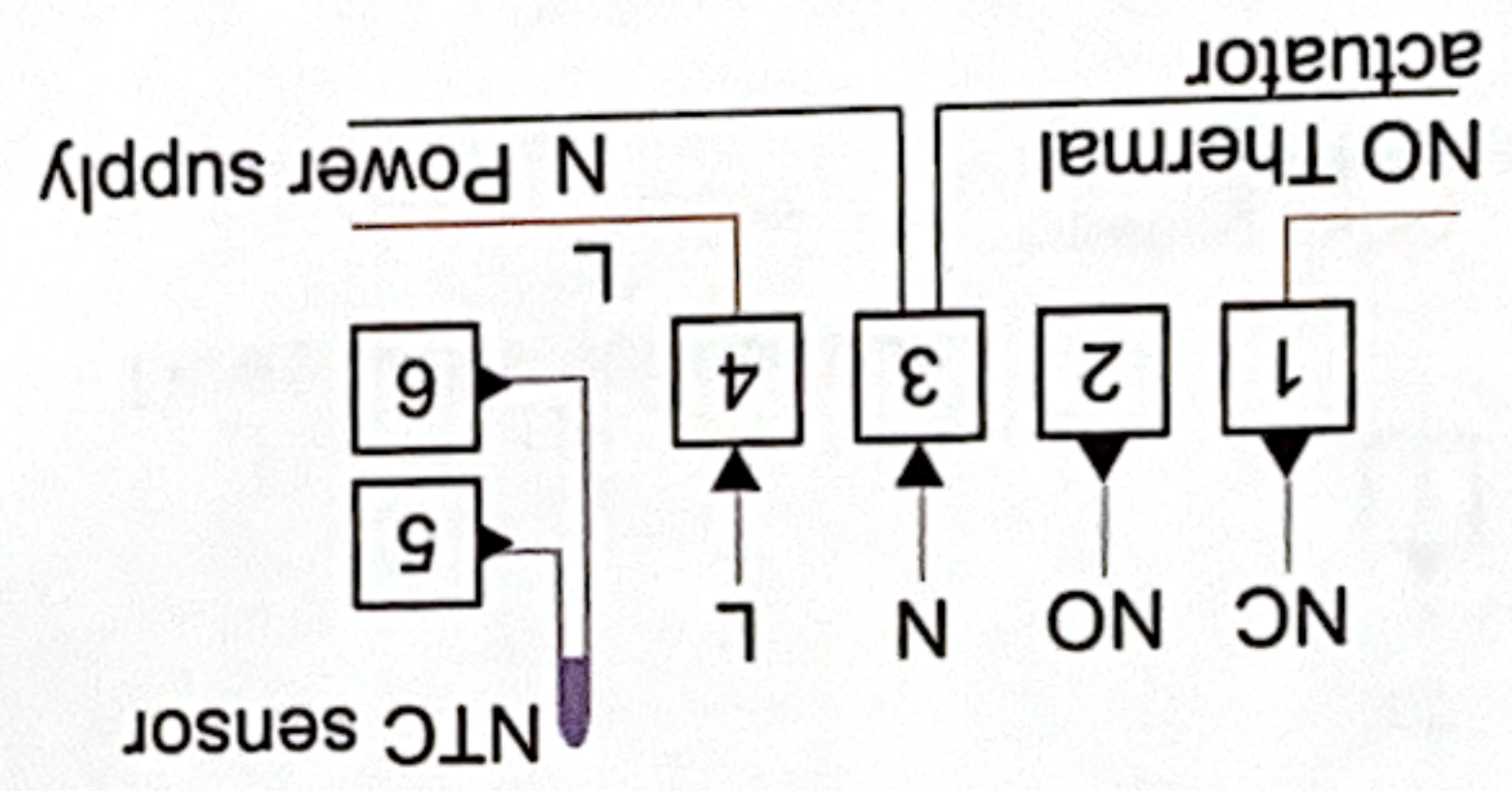
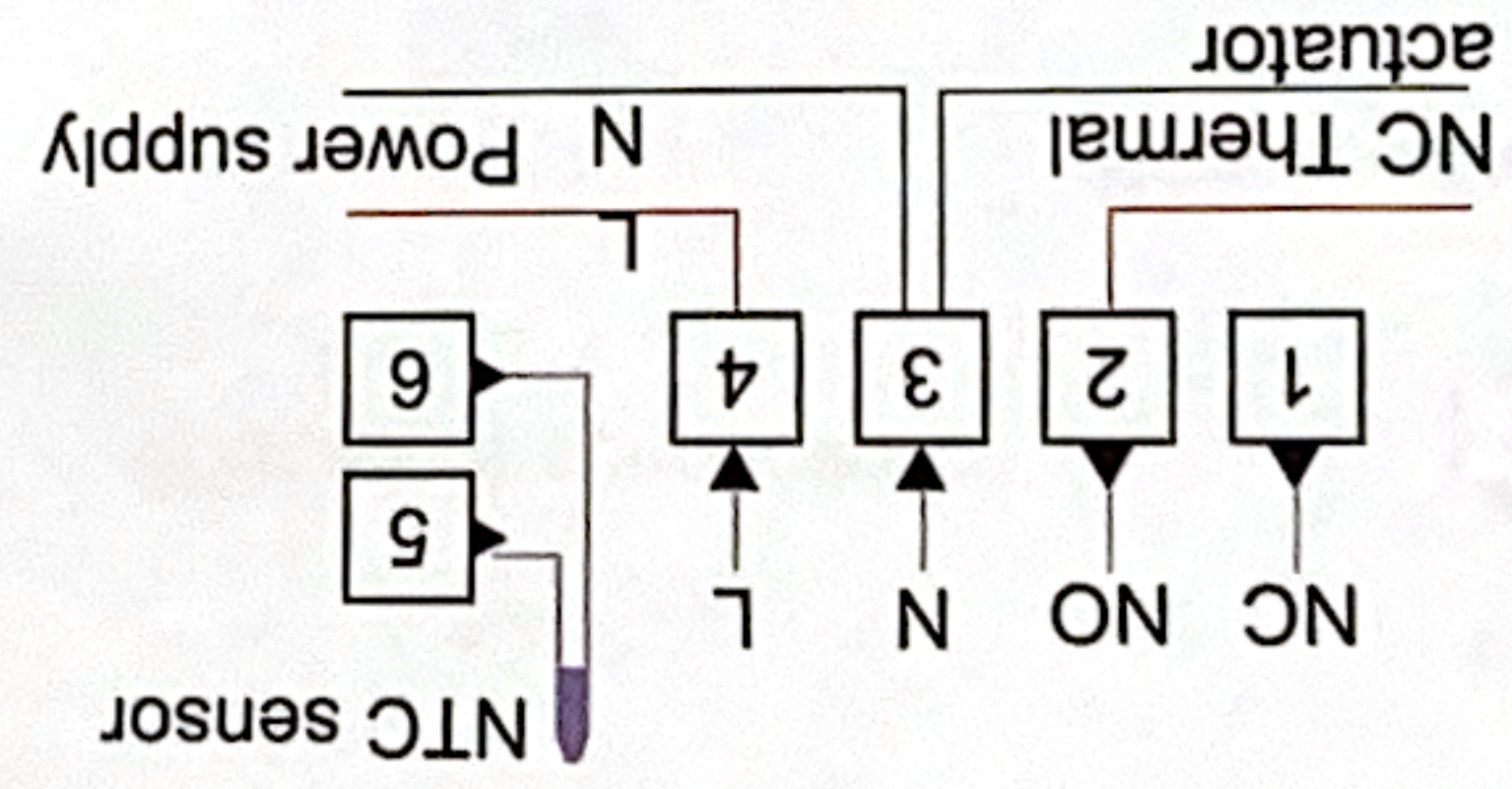
**3: Connect Boiler+actuator NC Type**



**4: Connect Thermal actuator only (can replace KTF0155B 163B)**

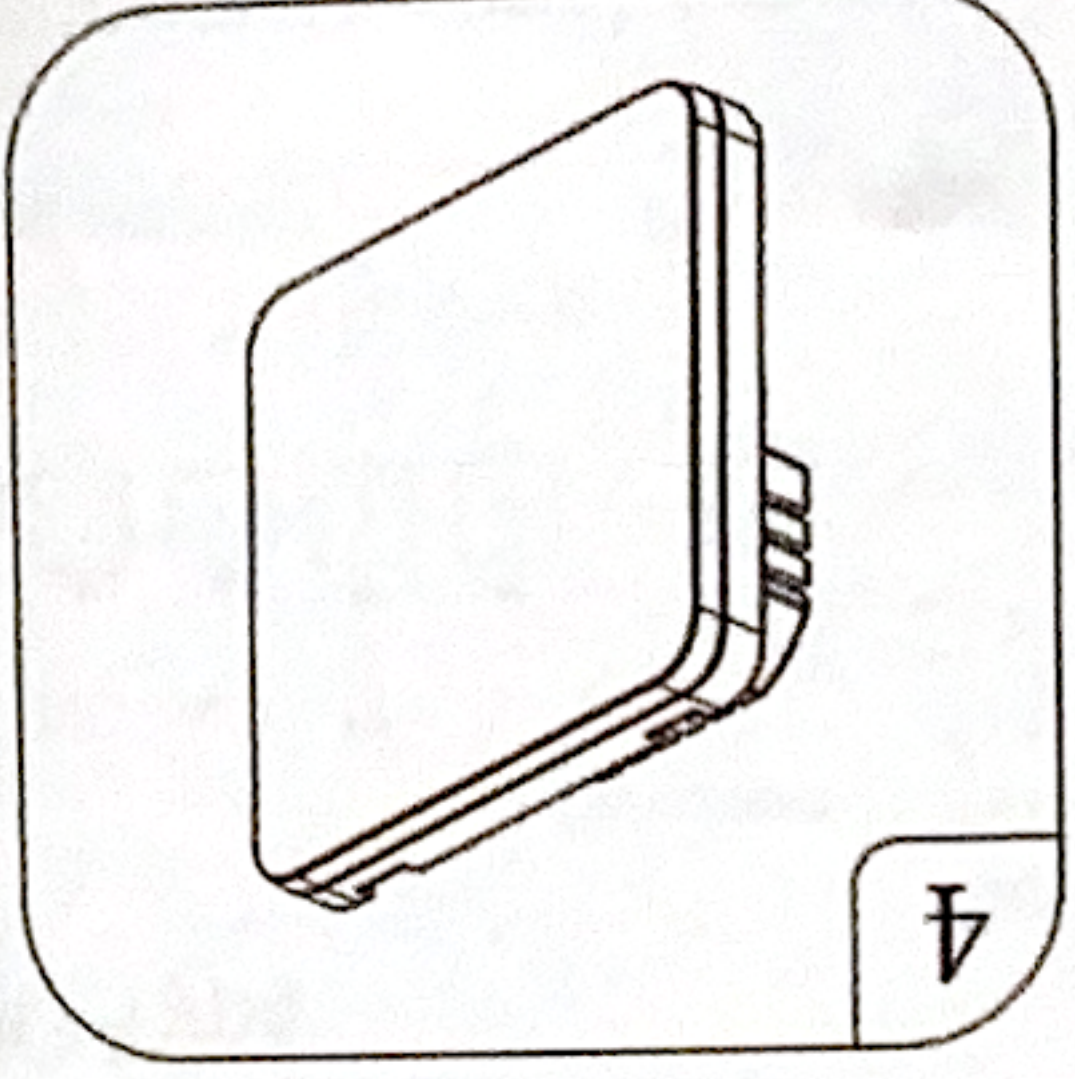
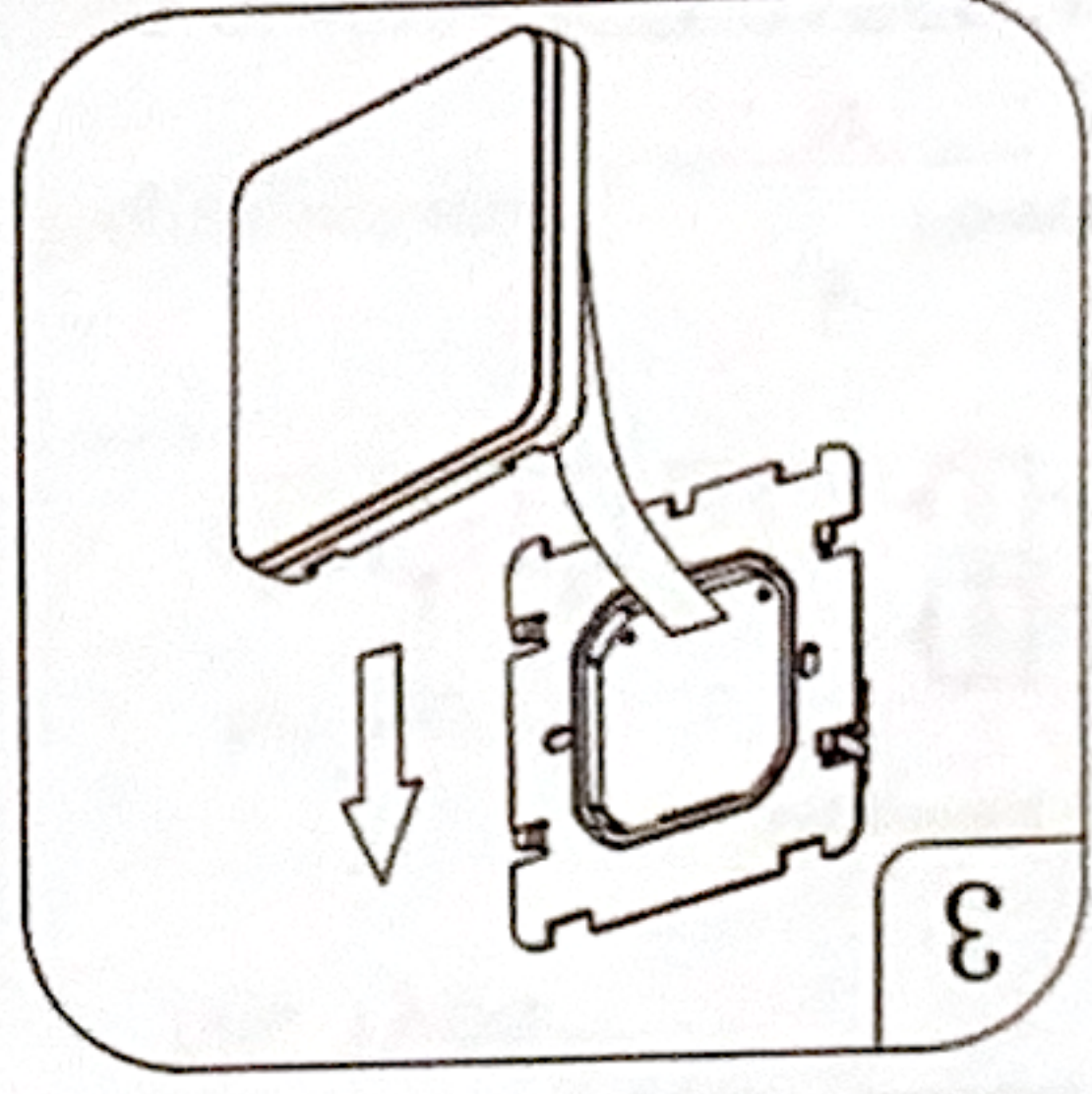
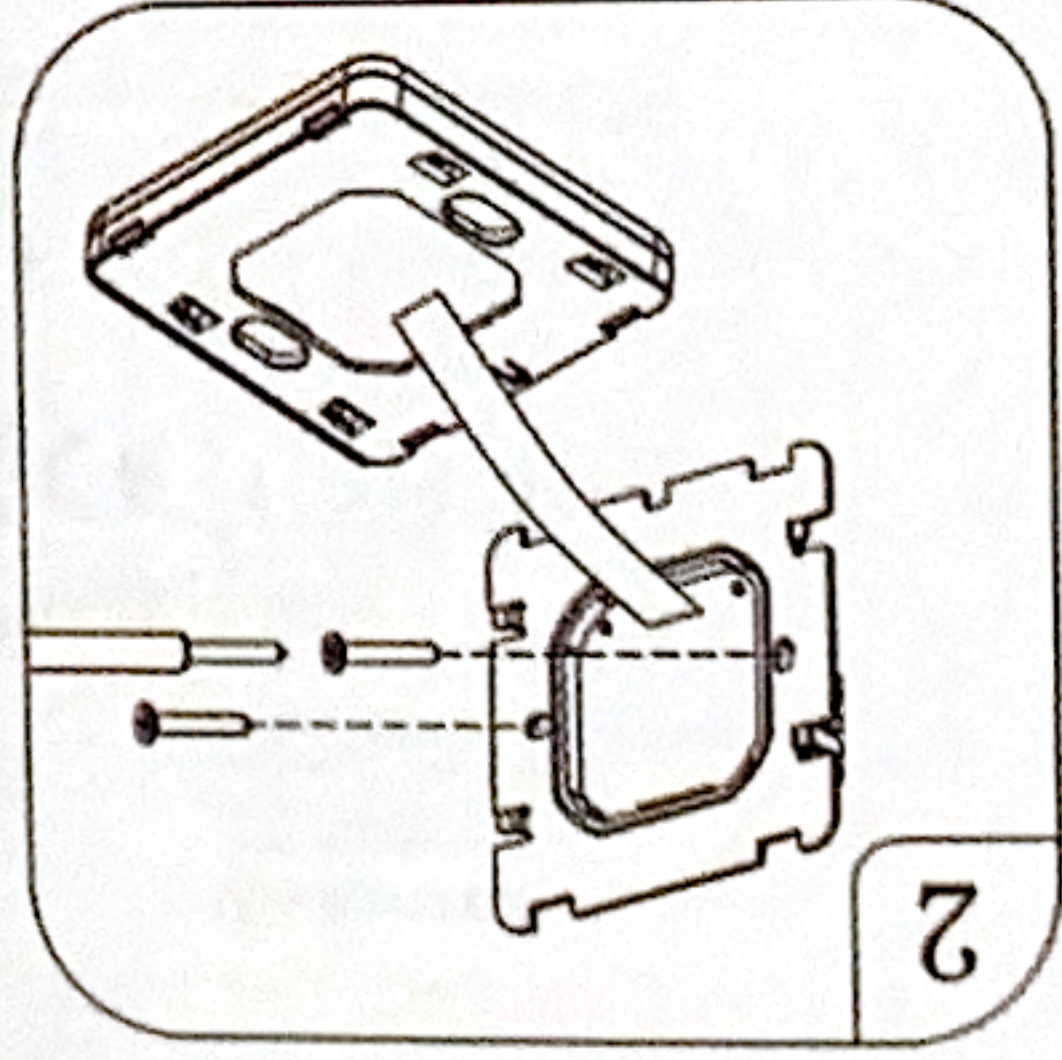
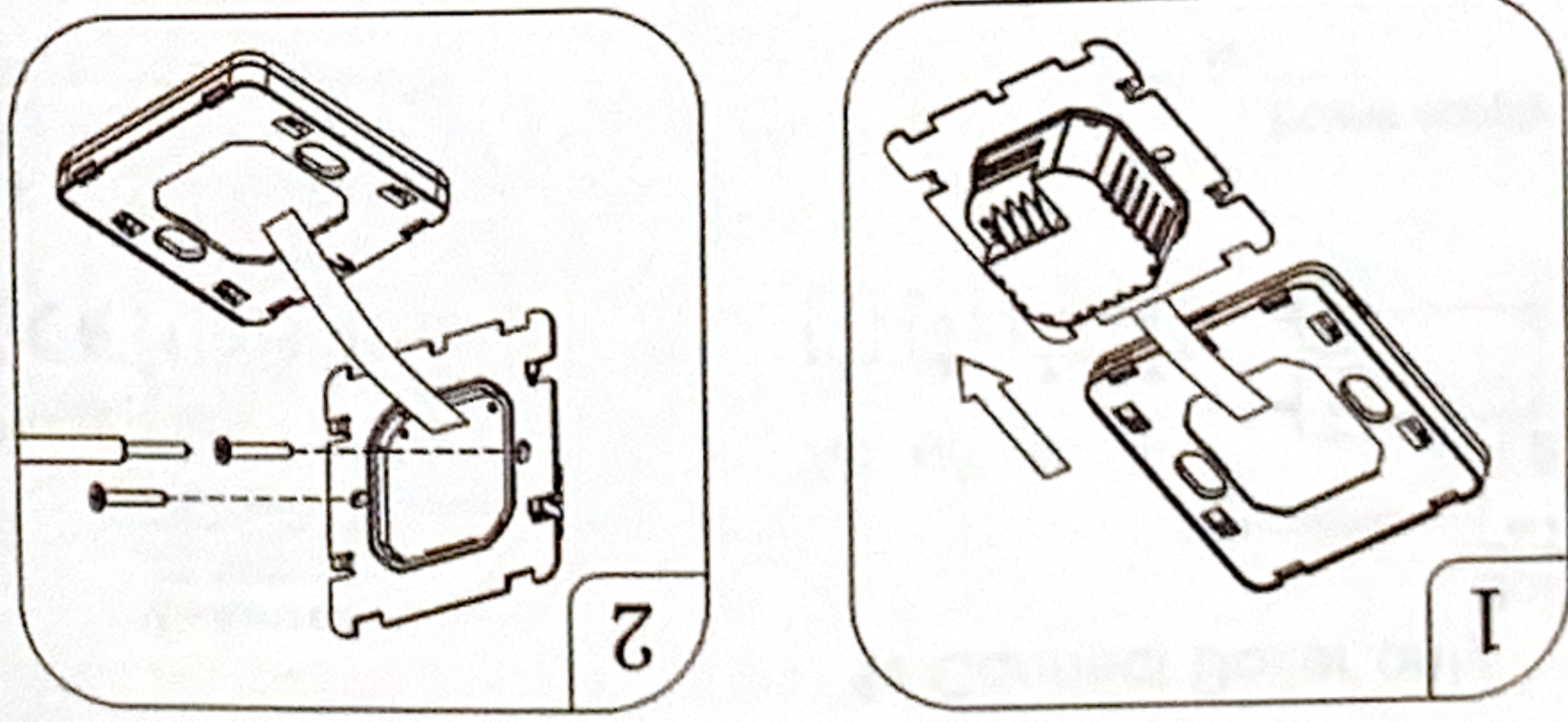
❖ **KTF0155B, KTF0163B** -- Water heating thermostat 3A.

Connect NO thermal actuator to 1&3 or NC thermal actuator to 2&3 or 1&2&3(3 wires)  
 Note: The NTC sensor does not need to be connected by default.





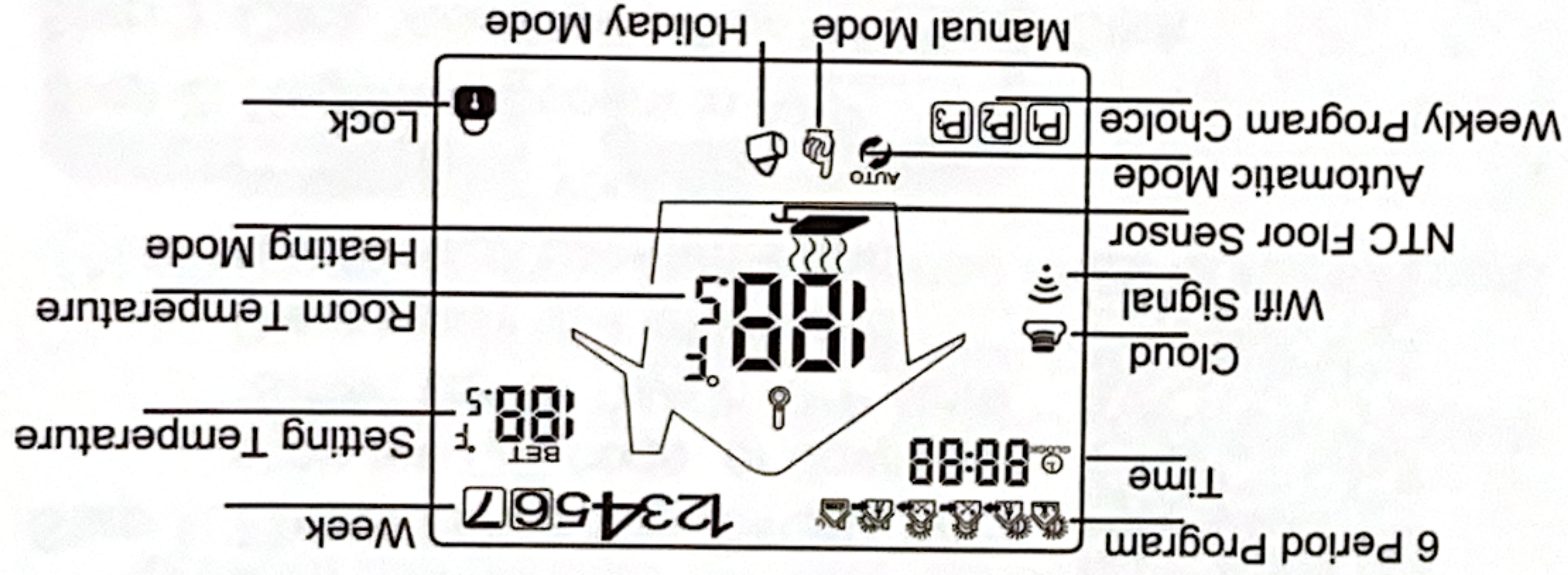
**Installation - suitable for standard 86mm or European 60mm patch box**



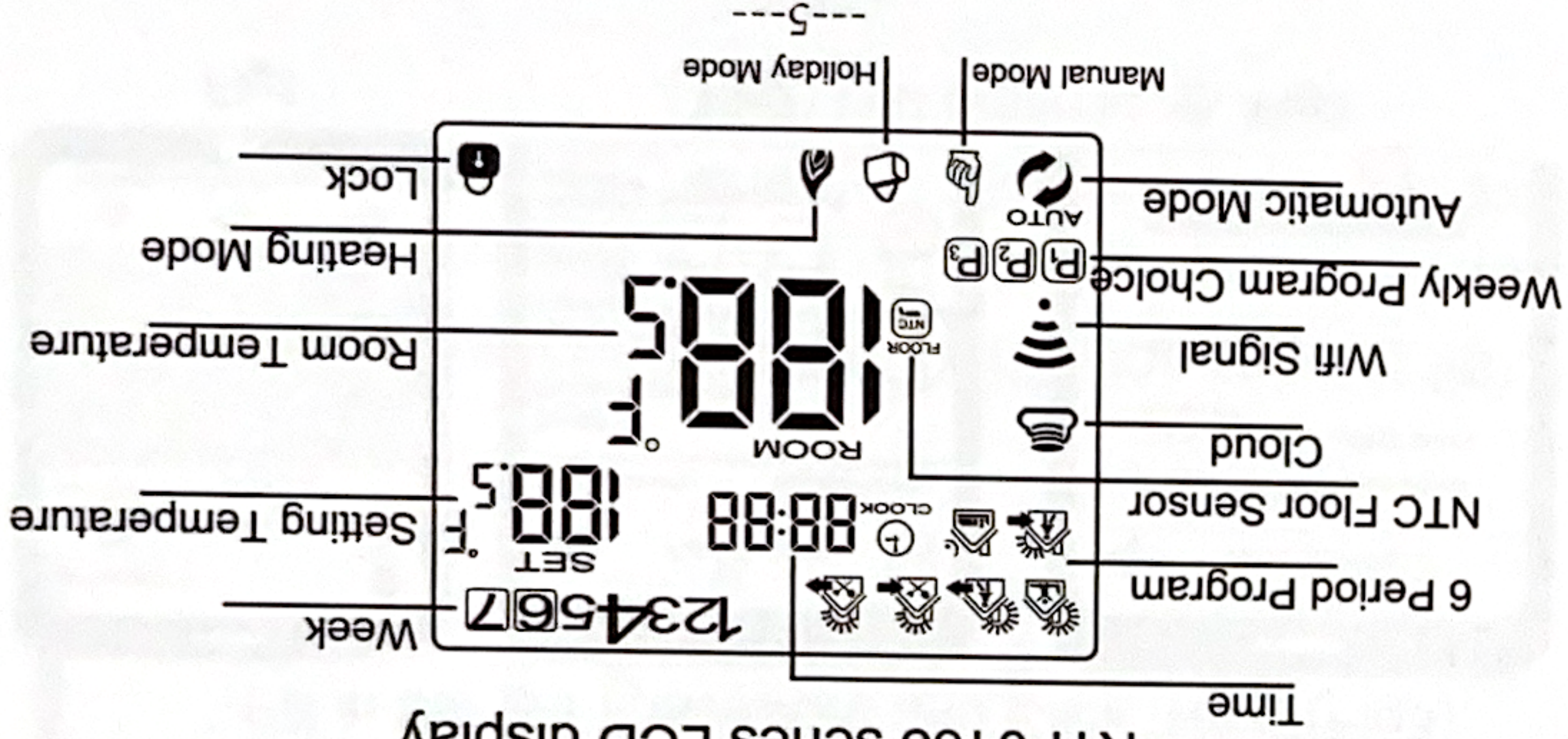
---4---



**KTF0155 series LCD display**



**KTF0163 series LCD display**





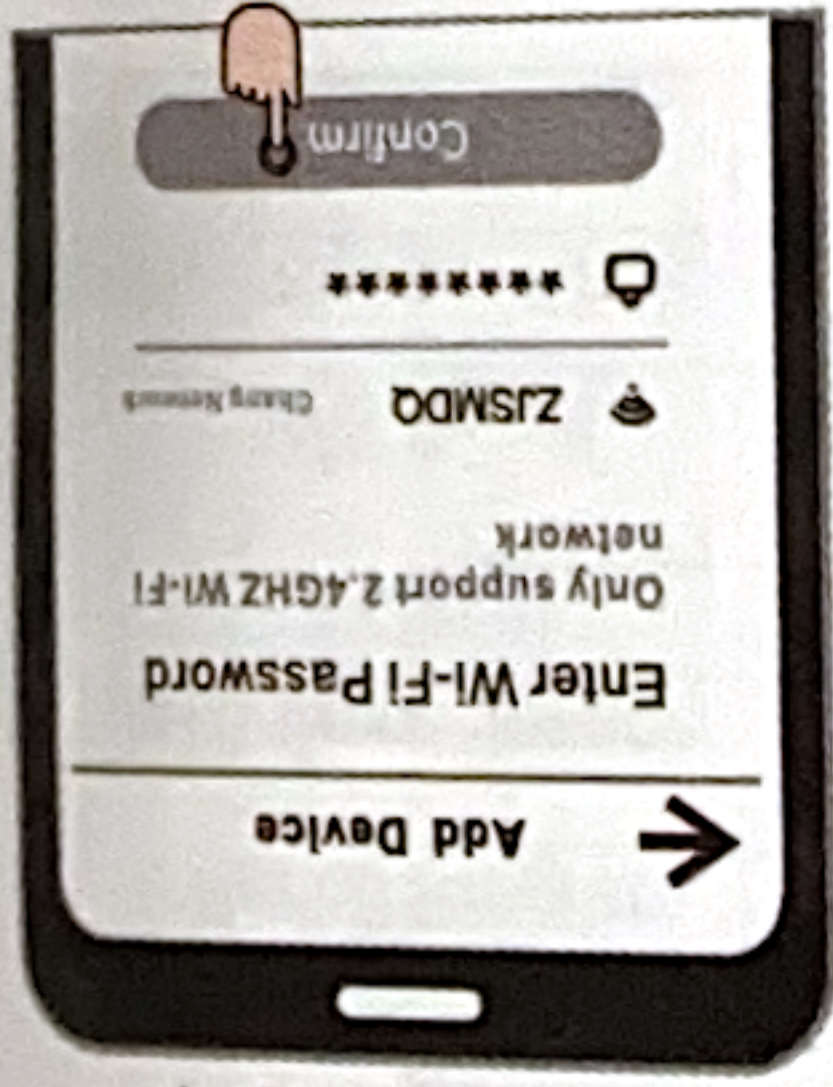
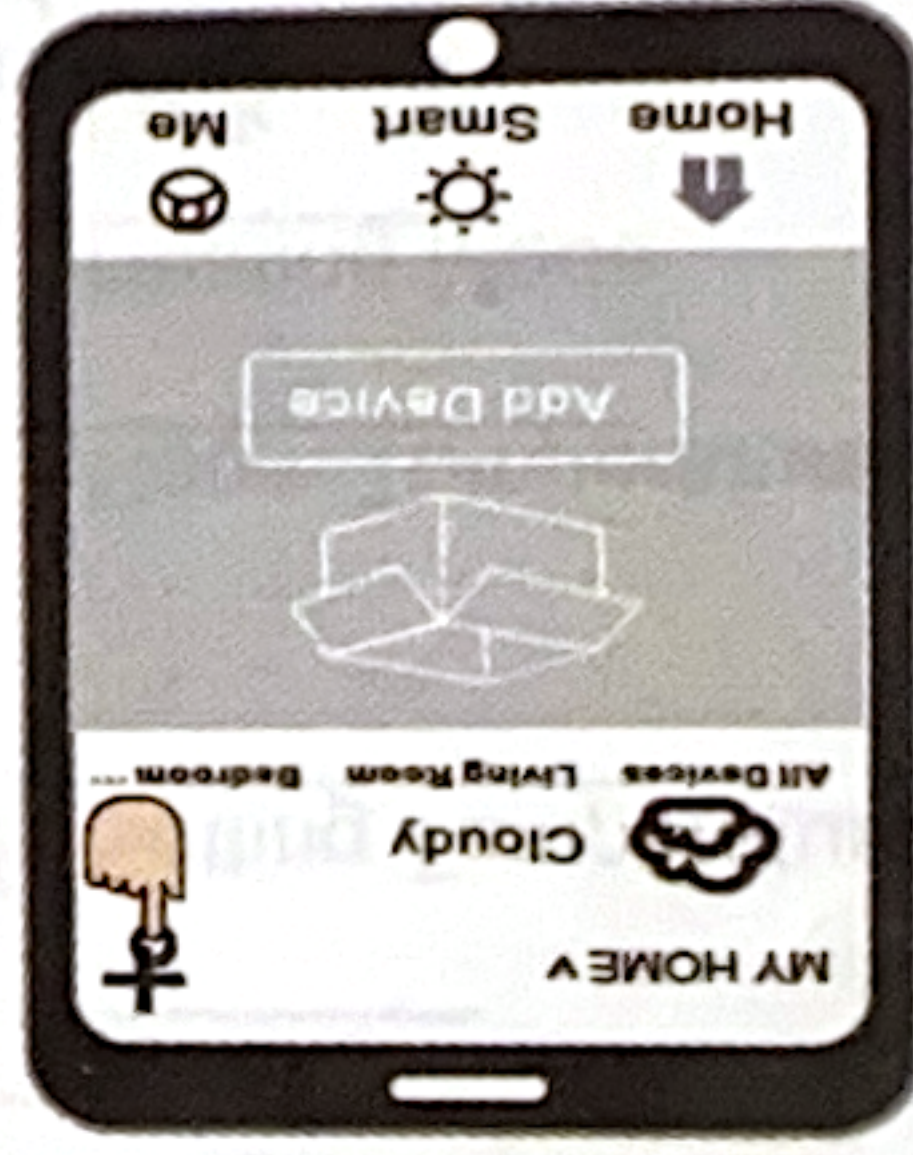
Step 1: Phone connect to 2.4Ghz WiFi.  
 scan the QR code or download  
 "Smart life" or Tuya in APP store.  
 Please only use letters and  
 numbers as username and  
 password of your wifi



Step 2: Register account in APP.

Step 3: Click "Add Device" or "+" (Fig1). Click

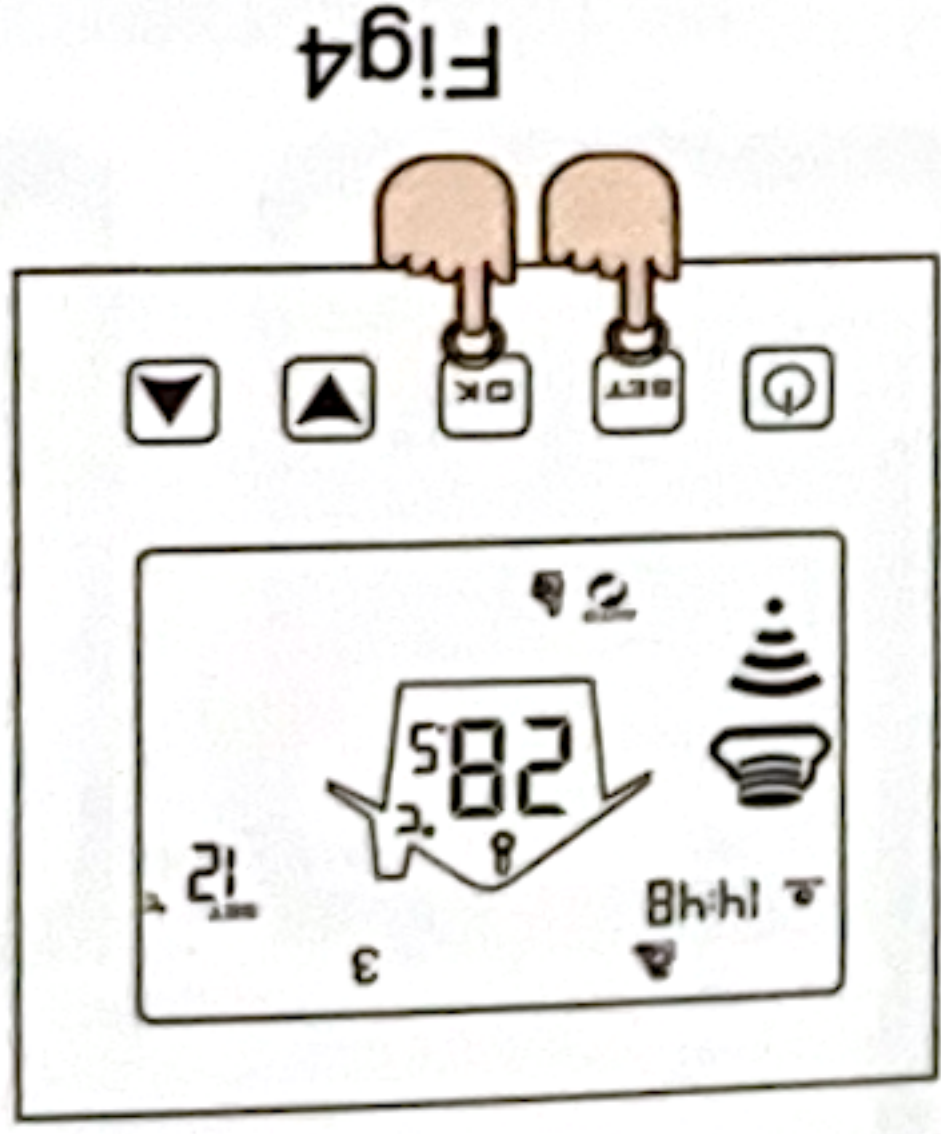
"Small home Appliance" -> "Thermostat wifi"(Fig2)  
 Fill in the WiFi password and Click "Next"(Fig3).



Step 4: Press and hold **SET** and **OK** at the same time for  
 several seconds until blinking fast together  
 (Fig4).

Step 5: Click "Blink Quickly" (Fig 5). The App will search  
 and connect with thermostat (Fig6).

Step 6: Open control panel to adjust settings (Fig10 Fig11).



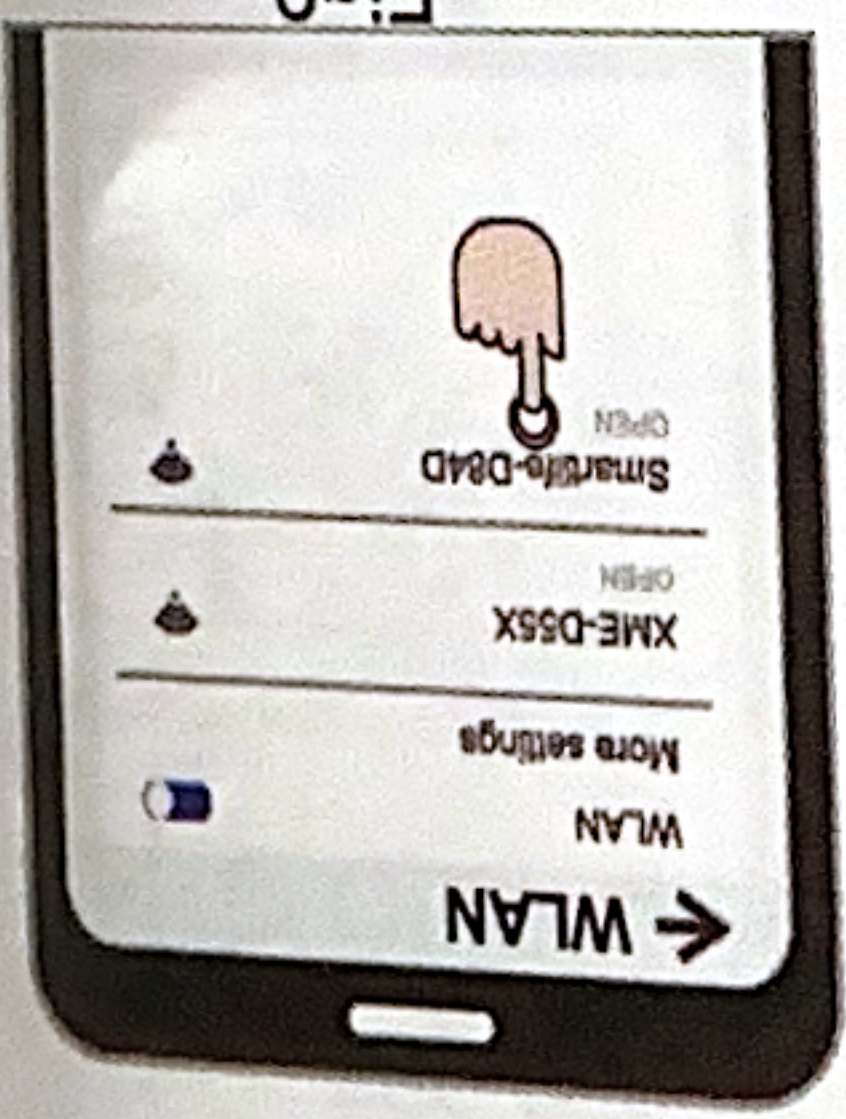
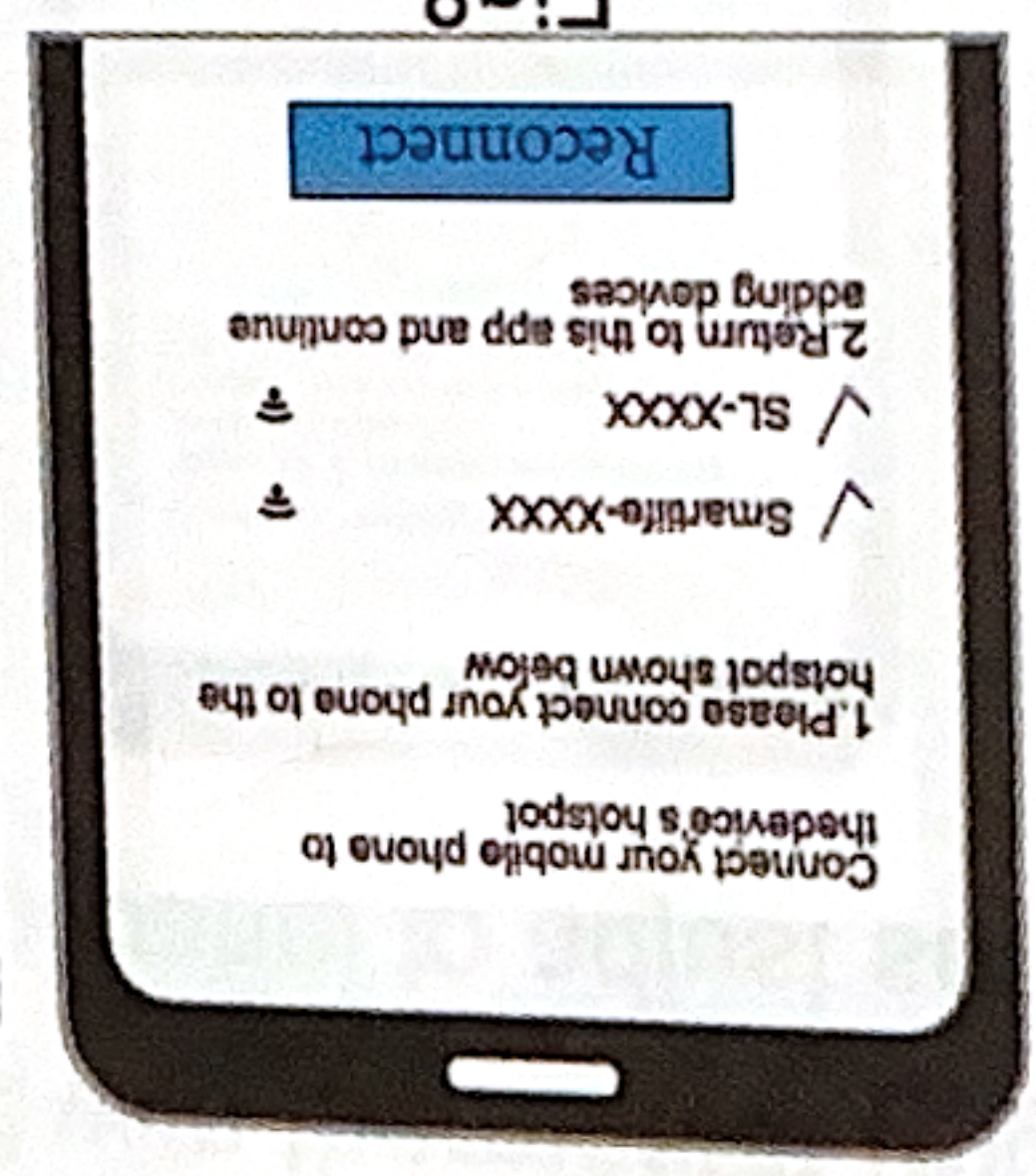
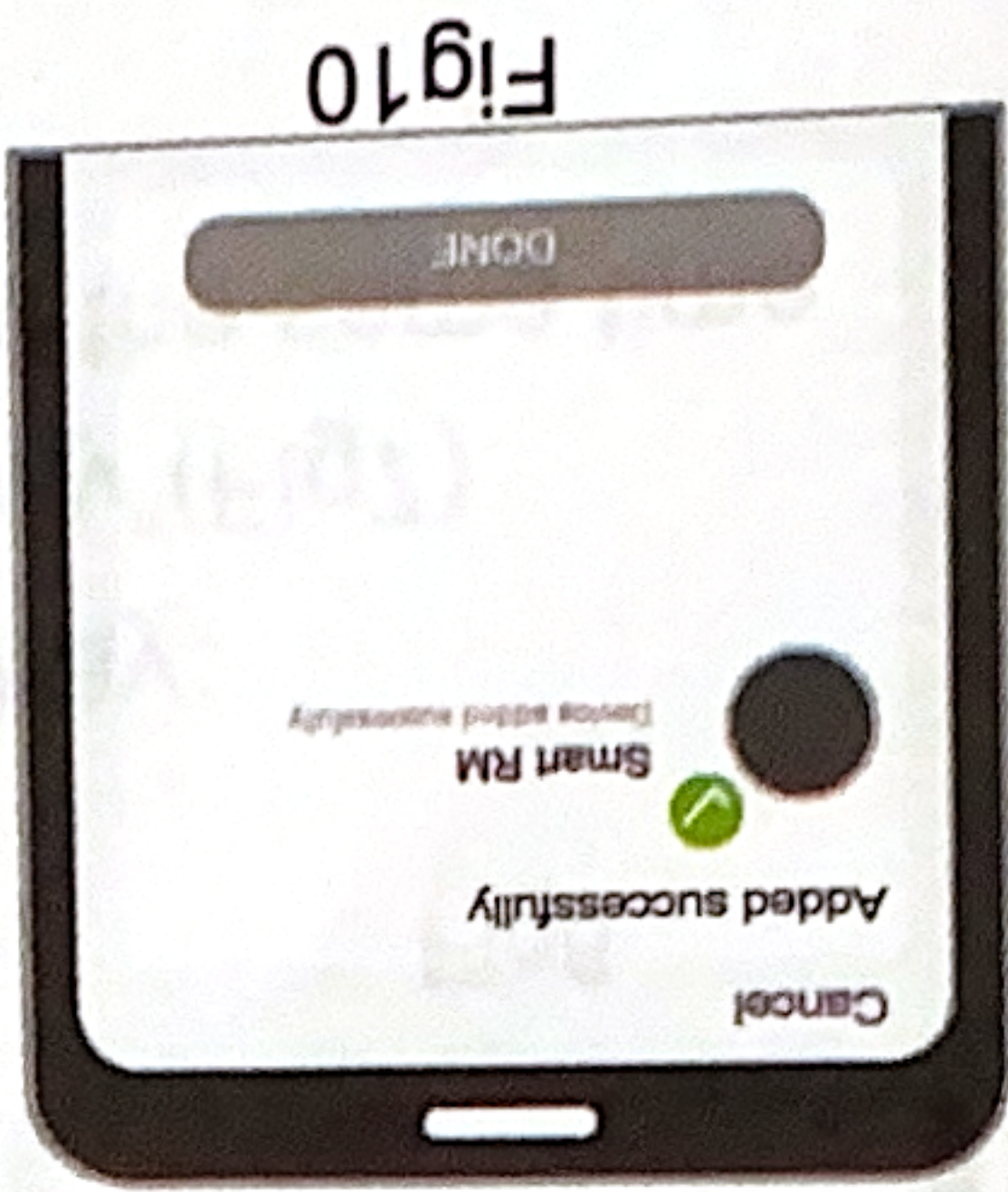
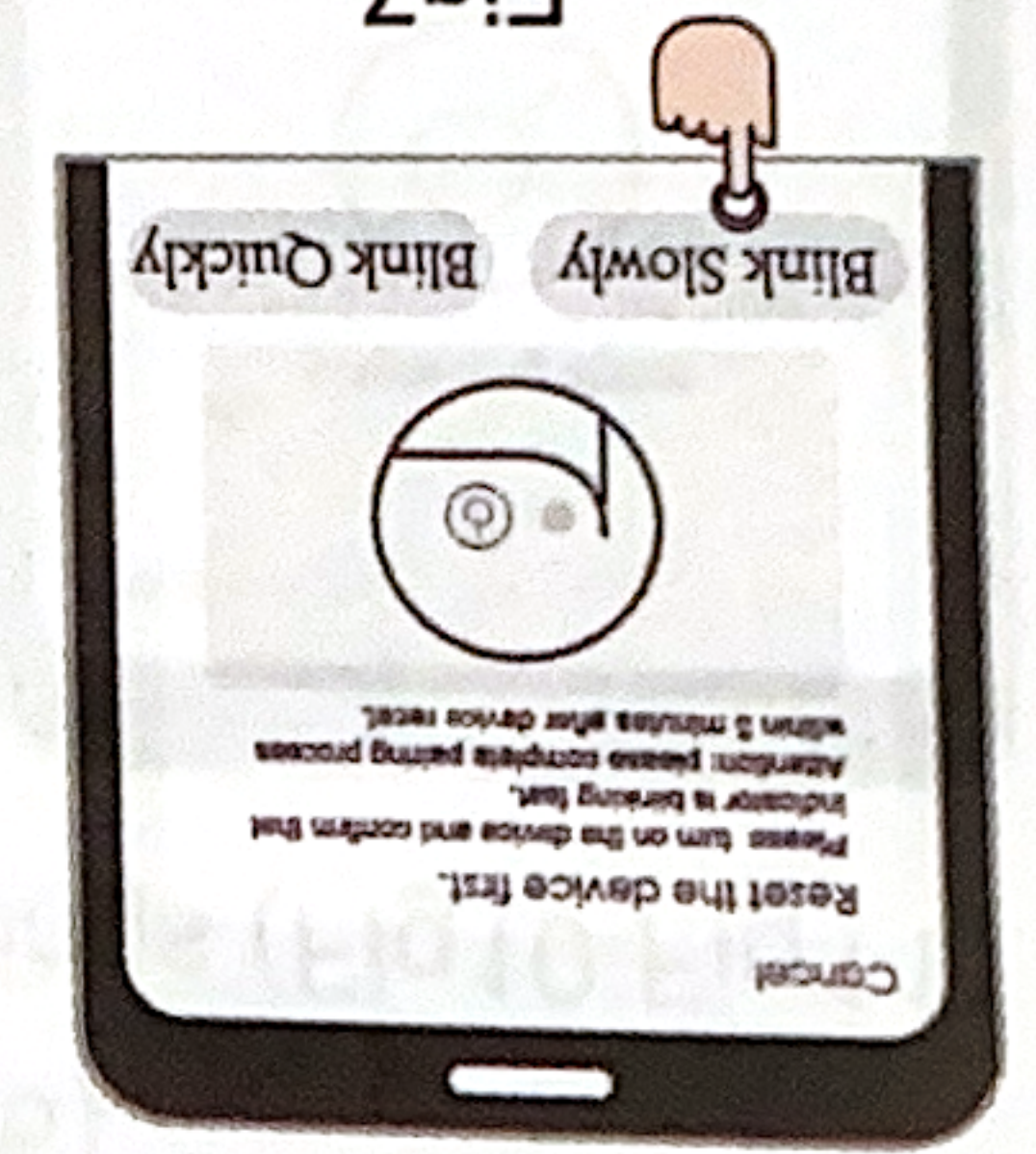
If fail to connect APP. Try following way:

Step ①: In step 5(Fig5), Click "Blink Slowly"(Fig7).

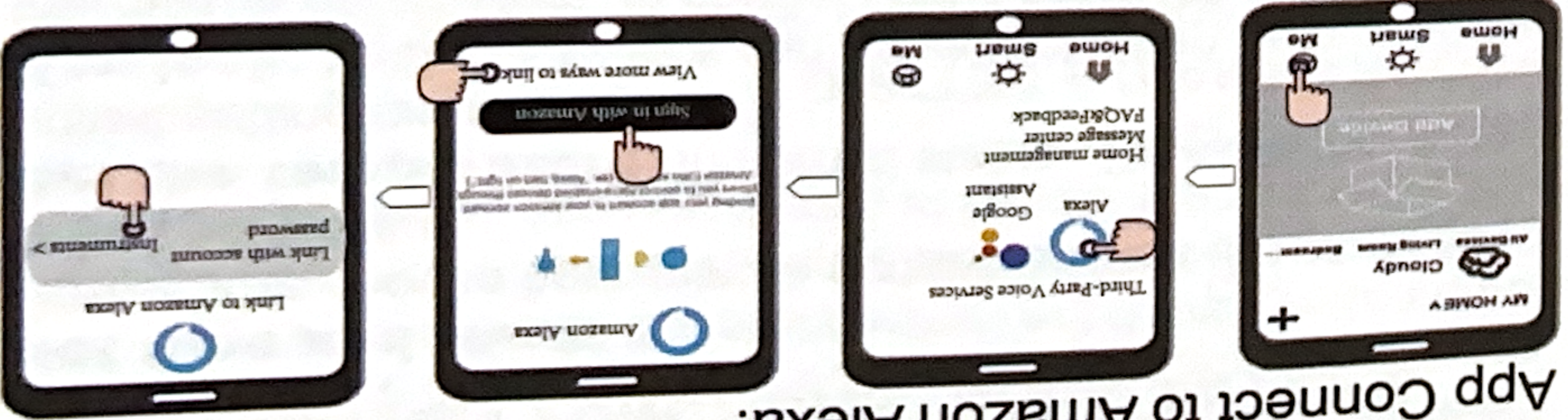
Step ②: Press and hold **SET** and **OK** at the same time  
 until blinking fast (Fig4).



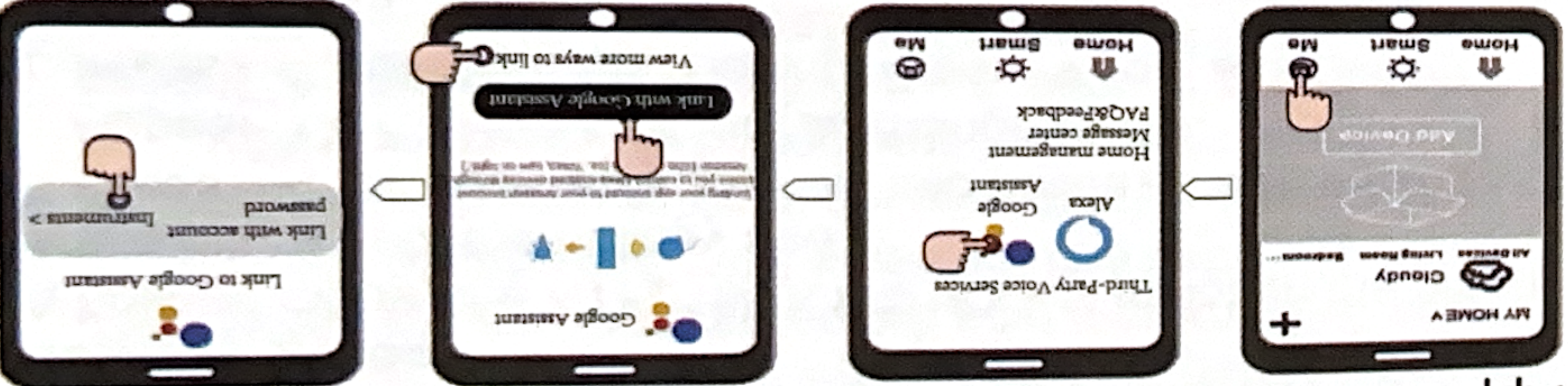
Step ③: On the APP click "Reconnect"(Fig8) to connect phone to hotspot"Smartlife-xxxx"(Fig9).  
 Step ④: Return to the APP (Fig8) and continue adding device automatically.(Fig10 Fig11)



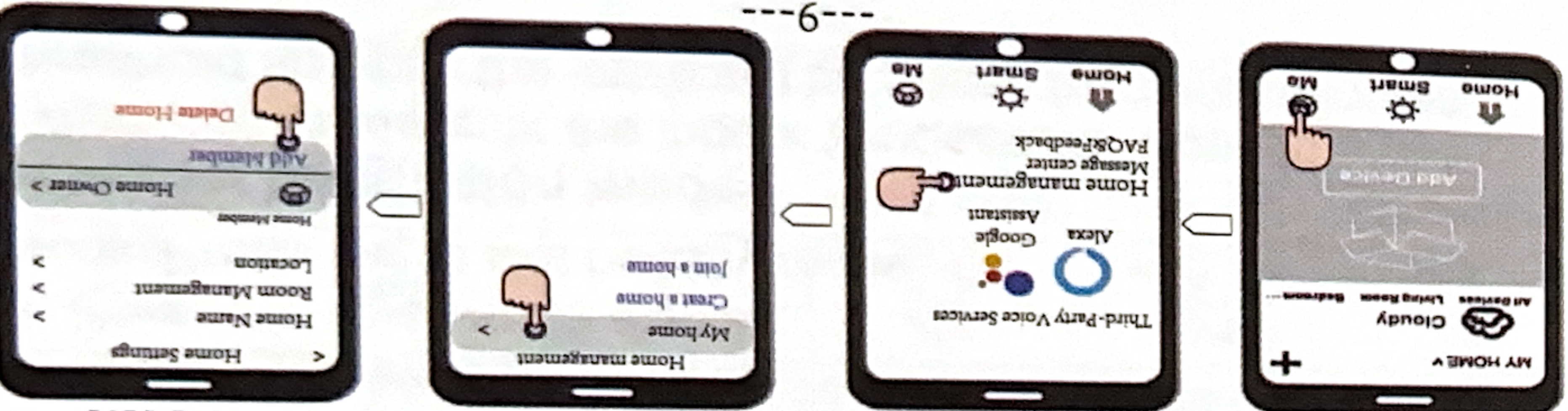
App Connect to Amazon Alexa:



App Connect to Google Assistant:



Home Management: add member to share thermostat





## TOUCH KEY FUNCTIONS - BASIC SETTING

### Set time and week

Press  to choose hour minute and week. Press  or  to adjust each value.

**Set the temperature:** In normal status, Press  or  to adjust setting temperature.

**Key-lock:** Setting Key-lock can prevent children from changing thermostat parameters. In normal status, press  for 3 seconds to lock the thermostat. Press for 3 seconds to unlock.

### Holiday mode

In holiday mode, the KTF0155 KTF0163 will maintain the preset temperature until the holiday end.

1. Press  for 3 seconds to enter into holiday mode setting. Appear "OFF", Press  or  change to ON.

2. Press , holiday days flashing. Press  or  to select holiday days.

3. Press , holiday temperature flashing. Press  or  to select holiday temperature.

4. Press  to save.  display. Note: Press  to exit holiday mode.

### Window Ventilation mode

When sensor detects the indoor temperature drops to threshold sharply, the valve will be closed for 10-20 minutes.

Once the time is up, it will immediately return to the original operation Mode, the valve will be fully opened to achieve rapid temperature rise. If the temperature still less than the thresholds, the actuator will continue to run in ventilation mode. Note: This mode is closed in default, you can open this mode in advance setting AC

### PROGRAMMABLE SETTING

KTF0155 KTF0163 use weekly circulation digital programming mode. 7 days as a circulation, 6 times period in each day. There are 5+2(default), 6+1 and 7days three program types. When choose 5+2 program type, the parameters are the same from Monday to Friday and the same from Saturday to Sunday.

1. Long press  for 3 seconds to enter programming setting. The screen shows first time period of Monday - Friday.

Press  to choose: hour, minute and temperature. Press  or  to adjust each data.

3. Press  to go into next time period and set data one by one. 4. After finish setting, wait 10 seconds to save and exist.

Wake up		6:00	20°C
Out door		8:00	15°C
Back home		11:30	15°C
Out door		13:30	15°C
Back home		17:00	15°C
Sleep		22:00	15°C

6 time period parameter table (initial value)



## TOUCH KEY FUNDTION - ADVANCED SETTING

Notice: normally set by technicians during initial installation. Turn off thermostat, long press  for 3 seconds to access A advanced setting. Press  to choose from A1 to AE. adjust data by  or . Press  to switch next option. Wait 10 seconds to auto save and exist.

no	Name	Ranges	Default
A1	Temperature Calibration	-9 ~+9°C	0°C
A2	Internal sensor return difference	0.5-2.5°C	0°C
A3	Children lock	0:half lock 1:full lock	0
A4	Device state On Power	0: Keep State (Power with memory function) 1: Device Close when power on 2: Device Open when power off	0
A5	Backlight time	5-30 seconds	10
A6	Weekly Program Type	0: 5+2 1: 6+1 2: 7	0: 5+2
A7	Min Setting temperature limit	1-10°C	5°C
A8	Max Setting temperature limit	20-70°C	35°C
A9	LowTemp Protection (External sensor)	1. Setting range 1-10°C 2. Set exceed 10°C, display <input type="button" value="[-]"/> to close protection	5°C

---12---

AA	HighTemp Protection (External sensor)	1. Setting range 20°C - 70°C 2. Set below 20°C, screen display <input type="button" value="[-]"/> to close protection	45°C
Ab	HighTemp Protection return difference	1-9°C External sensor limit temperature control return difference	2°C
AC	Window ventilation mode	display ---, Press <input type="button" value="▼"/> to set temperature: 10 - 20°C	---
Ad	ventilation mode Working time	10-20minutes	10
AE	Restore factory setting	Display A o, press and hold <input type="button" value="OK"/> until it reset	

Press  to turn off thermostat, long press  for 3 seconds to access B advanced setting.

bN	Sensor selection	N1: Internal sensor (HighTemp Protection close) N2: External sensor (High Temp Protection close) N3: Internal + External sensor	N1
bC	Descaling function	0: Close 1: Open (valve will be opened for 3 minutes every 100 hours)	0
bo	Product information	No function	

---13---



**Tips:** The way to change the settings on the product may be cumbersome. It is much easier to use APP only. You can choose any way to use.



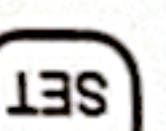

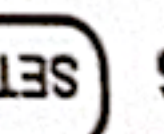

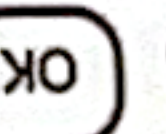
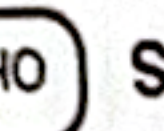
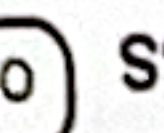


### Warranty

Ketotek warrants this product for one year from the date of purchase by the consumer. If the product is defective, please either, (i) return it or (ii) contact Ketotek. We will determine whether the product should be returned or replaced.

### Contact Us

www.cnketotek.com Email: info@cnketotek.com

**Return difference :** The default external sensor high temp protection value is 45°C. The default external sensor return difference is 2. When external temperature protection alarm, relay stop working and high temperature decline to 43°C, the relay continue to work and stop the alarm.  
**Fault Code:** E1 = Internal sensor short-circuit or disconnected. E2 = External sensor short-circuit or disconnected.

	Turn ON/OFF: Short press to turn on/ turn off
	1. Short press  to switch automatic mode and manual mode 2. Turn on thermostat, long press  for 3 seconds to enter into programmable setting 3. Turn off thermostat, long press  for 3 seconds to enter into A advanced setting
	1. Short press  to set time and week 2. Turn on thermostat, long press  for 3 seconds to enter into holiday mode setting. 3. Turn off thermostat, long press  for 3 seconds to enter into B advanced setting
	1. Decrease key 2. Long press to lock /unlock
	1. Increase key 2. Long press to inquire external sensor temperature